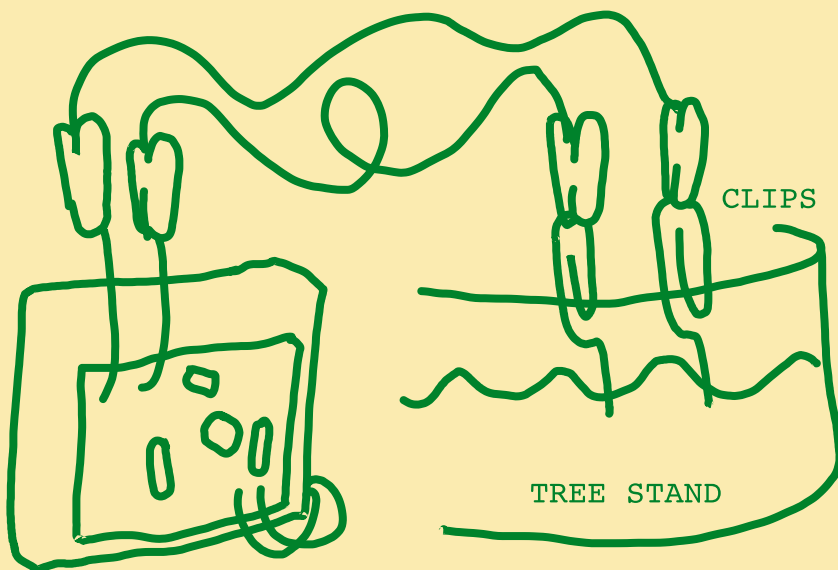
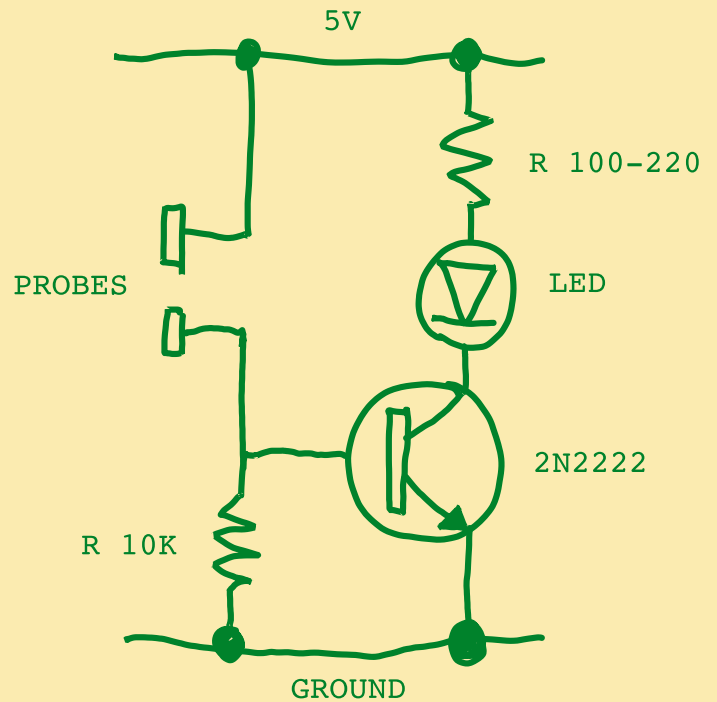


# Christmas Tree Water Level Detector

- 100-220ohm Resistor
- 10k Resistor
- 2N2222 Transistor
- LED
- 2 Paperclips
- 2 Alligator clips
- 2 Jumper wires
- Solderless
- breadboard
- Battery pack (4 AA)



CIRCUIT

Connect the circuit probes to the paperclips with alligator clips.

Position paper clips so they are touching the water.

When the water level get low, the light will turn off.